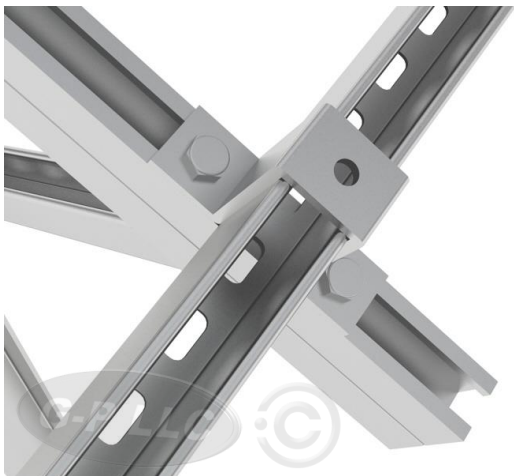




STRUCTURAL PRODUCTS AND SYSTEMS OVERVIEW

Strut channel products

G-P LLC offers a full array of products for strut channel systems. Our huge collection of strut channel sections, different fittings, fastener options and many more products will provide you everything you ever need for your strut channel system. All of the products come in variety of different finishes from aluminum, pre-galvanized steel, hot dip galvanized, 316 stainless, MAGNI-565 coated fasteners, and more.



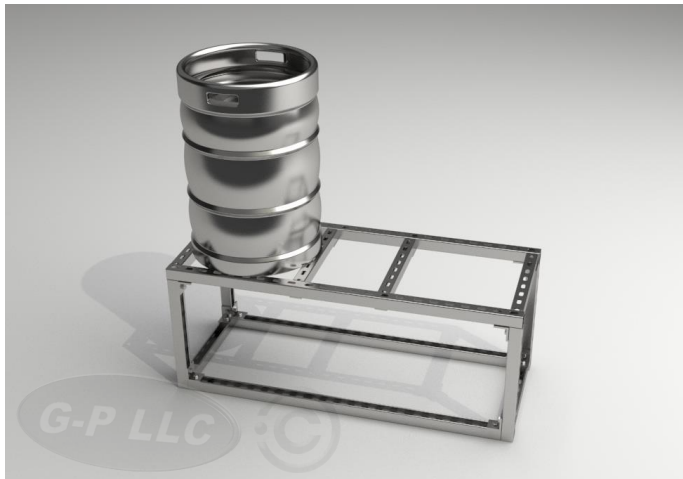
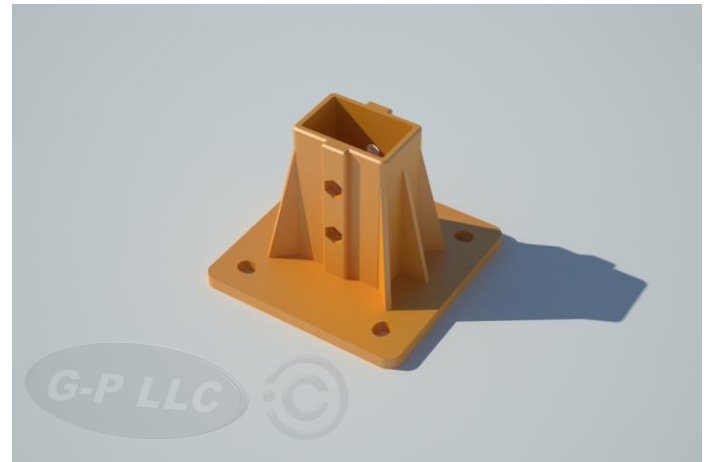
316 stainless products

316 stainless steel product line represents the highest quality finish in strut systems, offering the best strength and durability for your system. We have for immediate shipment large inventory of strut channel sections, fittings, fasteners, clamps, strut nuts, floor mounting plates, concrete anchors and inserts in 316L stainless steel.



Fiberglass systems

Fiberglass products strength, lightweight design and durable finish make them ideal for systems such as catwalks, different types of paths, rooftop solar systems, chemical/refineries/waste treatment and more. We offer a variety of fiberglass cross sections, base plates and grating systems. Fiberglass products are complementary with all of the 316L stainless fittings, fasteners, etc.



Material handling

G-P LLC offers a range of material handling materials, with the main accent on skate roller systems (gravity floor racks). Combining our aluminum alloy skate roller sections and roller connectors, with different strut channel system products, enables endless possibilities in the material handling projects.

Pre-made kits

From big solar farm systems , to roof and wall mounting solar systems, poolside systems, rooftop pipe support systems, different rack types, beer brewing stands, and much, much more. Created by our engineers, pre-made kits are ready to assemble systems, so you don't have to do all of the planning. No matter how big your project is, our kits will save you a lot of time and money.

