


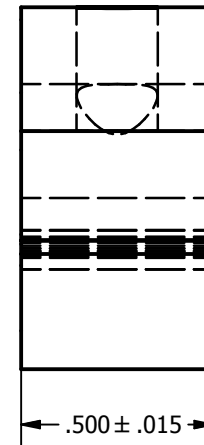
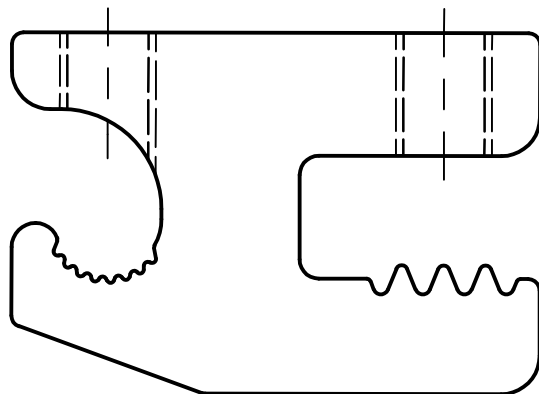
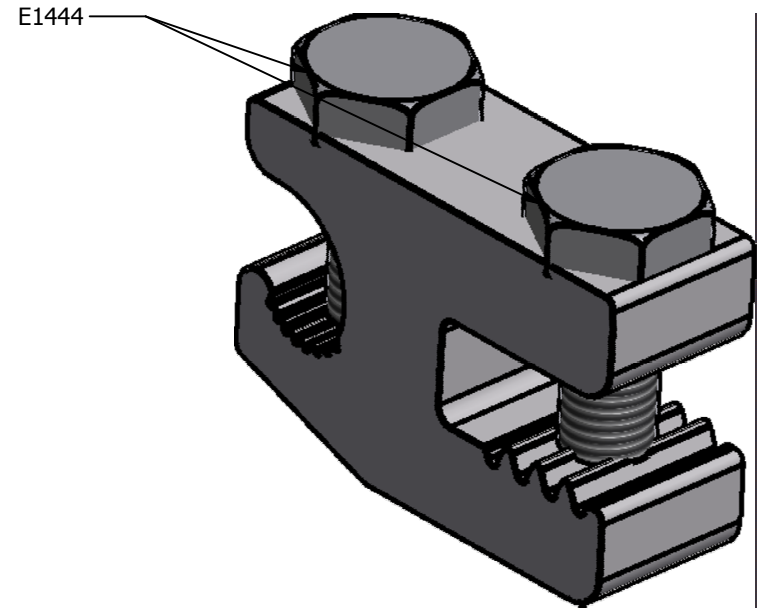
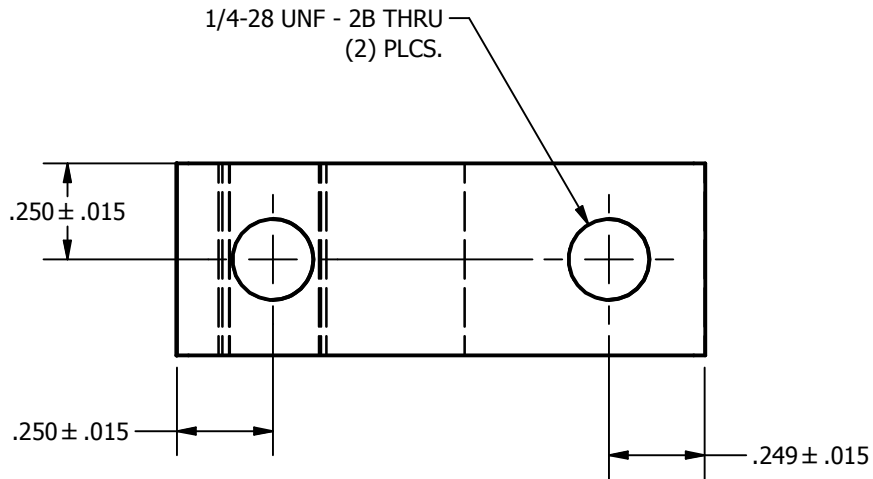


SCREW: E1444	MATERIAL:ALUMINUM, X1497	TOLERANCES-UNLESS OTHERWISE SPECIFIED 2 PL. DEC. ±.015 TRUE C.L. ±.015 3 PL. DEC. ±.015 ANGLES ±1		DWG. NO. G1040	
CAT. NO.:SGB-4	PLATING: EL-TIN	DRAWN BY: NN	SCALE: 2:1	SHEET 1 OF 1	
MASS:.043 LBS	MARKING: ILSCO, SGB-4, 4-14 SOL-STR, 35 IN-LBS, AL-CU  	DATE:2/25/2011	SIZE: A		
SURFACE AREA: ²		CELL:ABM			
STUFFER SHT: NONE			REV. DESCRIPTION		
			C	CHANGED EXTRUSION NN 09/16/10	



APPROVED - SES 7/22/10