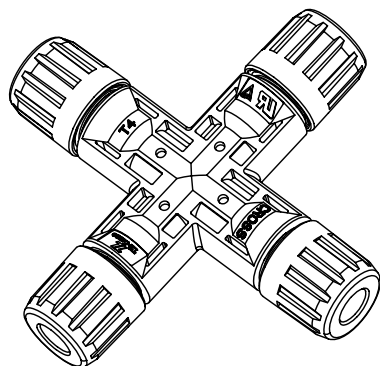
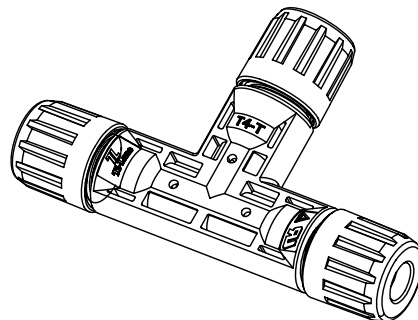


MOLD NO.

REV.	DESCRIPTION	APPD.	DATE
A	INITIAL RELEASED	MING	08/06/12'



CROSS CONNECTOR
(T4-CROSS ASSEMBLED)



T CONNECTOR
(T4-T ASSEMBLED)

ORDER P/N:

9 80 XX-X X

1	For 16/14/12/10AWG cable
2	For 8AWG cable only
0	Terminal by reel packing
1	Terminal by loose piece
40	Cross connector
41	T connector
80	TUV and UL approval
90	TUV approval only
9	With mark "Ti-lane"

1. SPECIFICATIONS:

CONTACT SIZE	2.5mm ² /14AWG	4.0mm ² /12AWG	6.0mm ² /10AWG	10.0mm ² /8AWG
RATED CURRENT	30A (UL)			
RATED VOLTAGE	1000V(IEC/CEI) 1000V(UL)			
TEST VOLTAGE	6kV(50Hz,1min)			
OVERVOLTAGE CATEGORY/POLLUTION DEGREE	CATIII/1			
CONTACT RESISTANCE OF PLUG CONNECTORS	0.5mΩ			
LOCKING SYSTEM	SNAP-IN			
DEGREE OF PROTECTION, MATED	IP67			
DEGREE OF PROTECTION, UNMATED	IP2X			
SAFETY CLASS	II			
AMBIENT TEMPERATURE RANGE	-40°C ~ +90°C (IEC/CEI) -40°C ~ +90°C (UL)			
UPPER LIMITING TEMPERATURE	105°C (IEC/CEI)			
CERTIFICATION	UL AND TUV			
STRIP LENGTH	7.00mm			

2. Use crimp tool Ti-lane T4 model 2.0/2.2T to crimp contacts

3. This assembly shall be certified Rohs compliant to the european union directive 2002/95/EC as amended per 2005/618/EC

UNDECLARED TOLERANCE

X.±1.0	X'.±2.0°
.X±0.5	.X'±1.0°
.XX±0.2	.XX'±0.5°

UNITS: MM

THESE DRAWINGS AND SPECIFICATIONS ARE THE PROPERTY OF Ti-Lane AND SHALL NOT BE REPRODUCED, COPIED OR USED IN ANY MANNER WITHOUT THE PRIOR WRITTEN CONSENT OF Ti-Lane.

CUS P/N:
XXXXPART NO.:
SEE TABLE

APPD.: WANG

CHKD.: WANG

DR.: MING 08/06/12'

Ti-Lane PRECISION
Ti-Lane ELECTRONIC CO.,LTD.

TITLE: T4 SOLAR CROSS AND T
CONNECTOR ASSEMBLY

DWG NO.: D61302



SCALE SHEET REV.

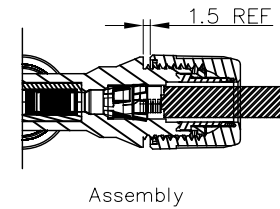
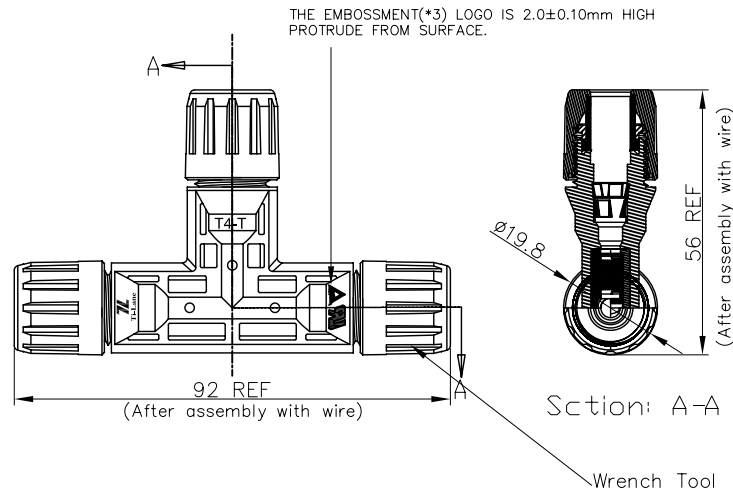
1:1 1/3 A

ITEM PART NAME DESCRIPTION QTY

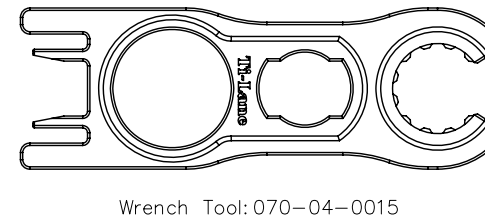
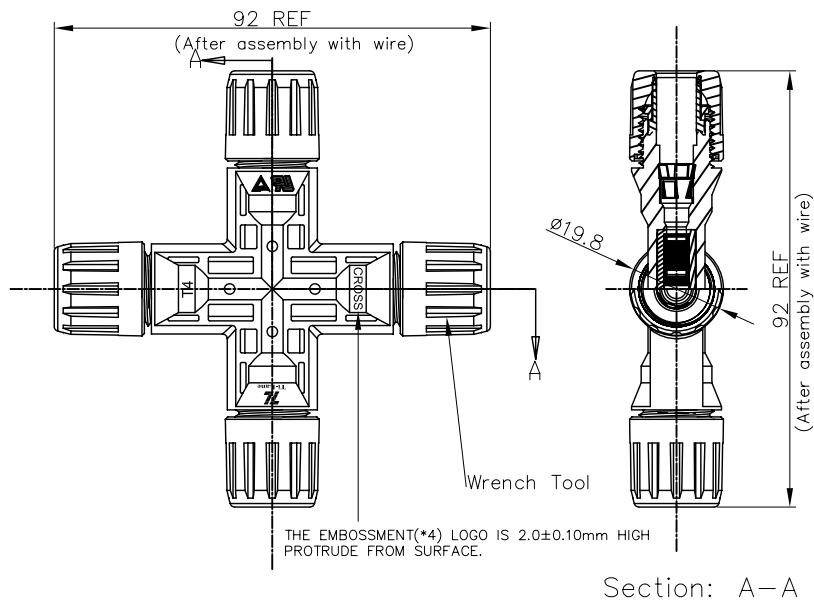
1 2 3 4 5 6 7 8 EDF REV.B

REV.	DESCRIPTION	APPD.	DATE
A	INITIAL RELEASED	MING	08/06/12'

T CONNECTOR
(T4-T ASSEMBLED)



CROSS CONNECTOR
(T4 CROSS ASSEMBLED)

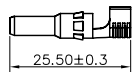
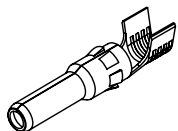


UNDECLARED TOLERANCE		CUS P/N:	Ti-Lane PRECISION Ti-Lane ELECTRONIC CO.,LTD.			
X.±1.0	X.*±2.0°	XXXX				
.X±0.5	.X*±1.0°	PART NO.:	TITLE: T4 SOLAR CROSS AND T CONNECTOR ASSEMBLY			
.XX±0.2	.XX*±0.5°	SEE TABLE				
UNITS: MM		APPD.: WANG	DWG NO.: D61302			
<small>THESE DRAWINGS AND SPECIFICATIONS ARE THE PROPERTY OF Ti-Lane AND SHALL NOT BE REPRODUCED, COPIED OR USED IN ANY MANNER WITHOUT THE PRIOR WRITTEN CONSENT OF Ti-Lane.</small>		CHKD.: WANG		SCALE	SHEET	REV.
		DR.: MING 08/06/12'		1:1	2/3	A

MOLD NO.

REV.	DESCRIPTION	APPD.	DATE
A	INITIAL RELEASED	MING	08/06/12'

STAMPING & FORM CONTACT



PIN (MALE)



	"A" (MM)
4.0mmP&6.0mmP	5.60
10.00mmP	6.40

ORDER P/N FOR CONTACTS REEL & PACKING INFO

080-02-015 5 C

C: 1500PCS PER REEL

5: For male

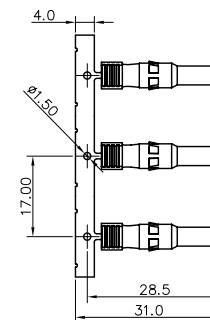
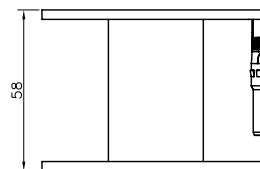
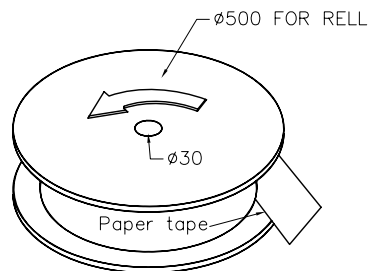
6: For female

015: For 16/14/12/10AWG cable

016: For 8AWG cable only

02: Terminal finish Nickel 50U", Tin 200U"

080: STAMPING FORM CONTACTS



UNDECLARED TOLERANCE

X.±1.0

X.*±2.0°

.X±0.5

.X*±1.0°

.XX±0.2

.XX*±0.5°

UNITS: MM

THESE DRAWINGS AND SPECIFICATIONS ARE THE PROPERTY OF Ti-Lane AND SHALL NOT BE REPRODUCED, COPIED OR USED IN ANY MANNER WITHOUT THE PRIOR WRITTEN CONSENT OF Ti-Lane.

CUS P/N:

XXXX

PART NO.:

SEE TABLE

APPD.: WANG

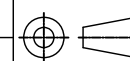
CHKD.: WANG

DR.: MING 08/06/12'

Ti-Lane PRECISION
Ti-Lane ELECTRONIC CO.,LTD.

TITLE: T4 SOLAR CROSS AND T
CONNECTOR ASSEMBLY

DWG NO.: D61302



SCALE SHEET REV.

1:1

3/3

A

ITEM PART NAME

DESCRIPTION

QTY